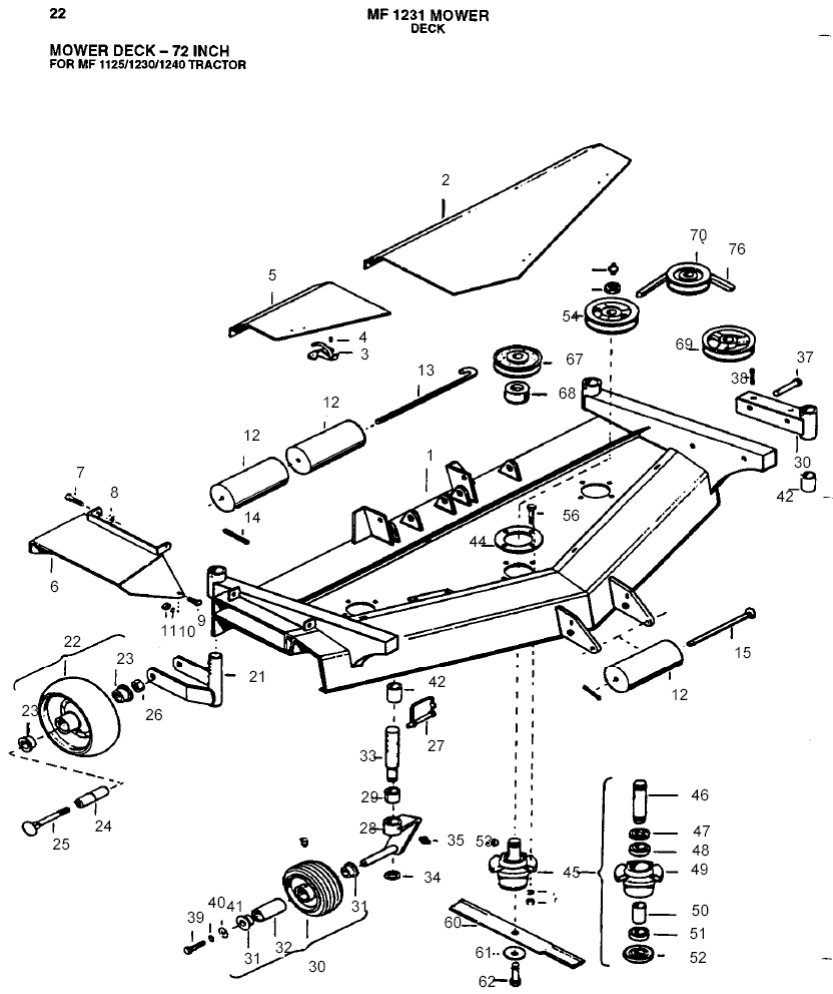


Publisher: AGCO Corporation

Book: 1231 MOWER

Page: DECK - MOWER DECK - 72 INCH, FOR MF 1125/1230/1240 TRACTOR

Item:



**Massey Ferguson
1231 MOWER**

651614

DECK - MOWER DECK - 72 INCH, FOR MF 1125/1230/1240 TRACTOR

Page 22

Item	Part Number	Qty	Description
<input type="checkbox"/>	1 1081026M91	1	DECK ASY - 72 INCH
<input type="checkbox"/>	2 1078920M1	1	SHIELD - DECK LEFT
<input type="checkbox"/>	3 1077011M1	3	LATCH -SHIELD TO DECK
	4	6	RIVET - LATCH ATTACHING 3/16 X 1/2 (ORDER 480792M91)
<input type="checkbox"/>	5 1078921M1	1	SHIELD - DECK RIGHT
<input type="checkbox"/>	6 1078922M91	1	CHUTE ASY - MOWER
<input type="checkbox"/>	7 353679X1	2	BOLT - CHUTE TO DECK 5/16 X 1 HEX
<input type="checkbox"/>	8 368834X1	2	NUT - CHUTE TO DECK 5/16 HEX LOCK
<input type="checkbox"/>	9 364534X1	1	BOLT - CHUTE TO DECK 5/16 X 1 CARRIAGE
<input type="checkbox"/>	10 353446X1	1	WASHER - CHUTE TO DECK 5/16 LOCK
<input type="checkbox"/>	11 355565X1	1	NUT - CHUTE TO DECK 5/16 HEX
<input type="checkbox"/>	12 518127M1	3	ROLLER - MOWER
<input type="checkbox"/>	13 1076986M1	1	SHAFT - MOWER ROLLER REAR
<input type="checkbox"/>	14 354059X1	2	PIN - MOWER ROLLER 1/8 X 1 COTTER
<input type="checkbox"/>	15 1076985M1	1	PIN - MOWER ROLLER FRONT
<input type="checkbox"/>	21 1077012M91	2	FORK ASY - REAR GAUGE WHEEL
<input type="checkbox"/>	22 1074946M91	2	WHEEL ASY - REAR GAUGE INCLUDES 23
<input type="checkbox"/>	23 1074947M1	2	BUSHING - GAUGE WHEEL
<input type="checkbox"/>	24 1055559M1	2	BUSHING - GAUGE WHEEL
<input type="checkbox"/>	25 354667X1	2	BOLT - REAR GAUGE WHEEL 1/2 X 4 1/2 HEX
<input type="checkbox"/>	26 369066X1	2	NUT - REAR GAUGE WHEEL 1/2 LOCK
<input type="checkbox"/>	27 1077001M1	4	PIN - GAUGE WHEEL RETAINING
<input type="checkbox"/>	28 1077002M91	2	ARM ASY - FRONT GAUGE WHEEL INCLUDES 29
<input type="checkbox"/>	29 1075500M1	1	BUSHING - FRONT GAUGE WHEEL ARM
<input type="checkbox"/>	30 1077003M91	2	WHEEL ASY - FRONT GAUGE INCLUDES 31
<input type="checkbox"/>	31 1077004M1	2	BUSHING - FRONT GAUGE WHEEL
<input type="checkbox"/>	32 1077005M1	2	BUSHING - FRONT GAUGE WHEEL
<input type="checkbox"/>	33 1077000M1	2	SPINDLE - FRONT GAUGE WHEEL ARM
<input type="checkbox"/>	34 352438X1	2	SNAP RING - SPINDLE TO ARM
<input type="checkbox"/>	35 368732X1	2	FITTING - WHEEL GREASE
<input type="checkbox"/>	36 1077006M91	1	MOUNTING ASY - LEFT CASTER
<input type="checkbox"/>	37 1077007M1	2	PIN - MOUNT ATTACHING
<input type="checkbox"/>	38 195708M1	2	PIN - MOUNT ATTACHING COTTER
<input type="checkbox"/>	39 353691X1	2	BOLT - WHEEL TO ARM 3/8 X 1 HEX
<input type="checkbox"/>	40 353434X1	2	WASHER - WHEEL TO ARM 3/8 LOCK
<input type="checkbox"/>	41 355619X1	2	WASHER - WHEEL TO ARM 3/8 FLAT

<input type="checkbox"/>	42	1077040M1	2	BUSHING - MOUNT
<input type="checkbox"/>	44	1076997M1	3	RING - REINFORCEMENT
<input type="checkbox"/>	45	1076987M91	3	SPINDLE ASY - MOWER INCLUDES 46 - 52
<input type="checkbox"/>	46	1076989M1	1	SHAFT - SPINDLE
<input type="checkbox"/>	47	1076994M1	1	SEAL - SHAFT UPPER
<input type="checkbox"/>	48	1109045	1	BEARING - SHAFT UPPER
<input type="checkbox"/>	49	1076988M1	1	HOUSING - SPINDLE
<input type="checkbox"/>	50	1076992M1	1	BUSHING - HOUSING
<input type="checkbox"/>	51	1109048	1	BEARING - SPINDLE LOWER
<input type="checkbox"/>	52	1076990M1	1	HUB - SPINDLE LOWER
<input type="checkbox"/>	53	70905845	4	KEY - SPINDLE WOODRUFF
<input type="checkbox"/>	54	1076995M1	3	PULLEY - SPINDLE DRIVE
<input type="checkbox"/>	55	1076996M1	3	NUT - PULLEY TO SPINDLE
<input type="checkbox"/>	56	354262X1	12	BOLT - SPINDLE TO DECK 3/8 X 1 1/2 HEX
<input type="checkbox"/>	58	366573X1	12	NUT - SPINDLE TO DECK 3/8 HEX LOCK
<input type="checkbox"/>	59	368732X1	3	FITTING - SPINDLE GREASE
<input type="checkbox"/>	60	1078923M1	3	BLADE - MOWER STD LIFT
<input type="checkbox"/>	61	1076999M1	3	WASHER - BLADE TO MOWER
<input type="checkbox"/>	62	354285X1	3	BOLT - BLADE TO SPINDLE 5/8 X 2 1/4 HEX
<input type="checkbox"/>	67	1055520M1	1	PULLEY - SPRING LOADED
<input type="checkbox"/>	68	1080996M1	1	SPACER - IDLER PULLEY
<input type="checkbox"/>	69	1065417M1	1	PULLEY - GEARBOX DRIVE
<input type="checkbox"/>	70	54205	1	PULLEY - FIXED
<input type="checkbox"/>	76	1072602M1	1	BELT - MOWER DRIVE 172.6 E.L.
